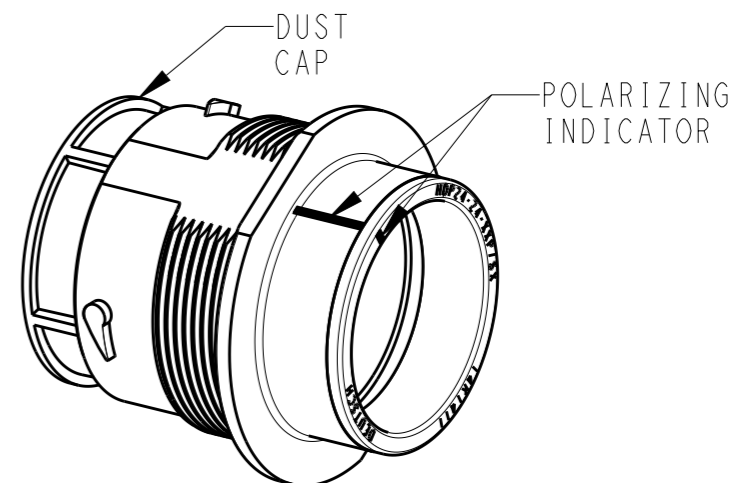
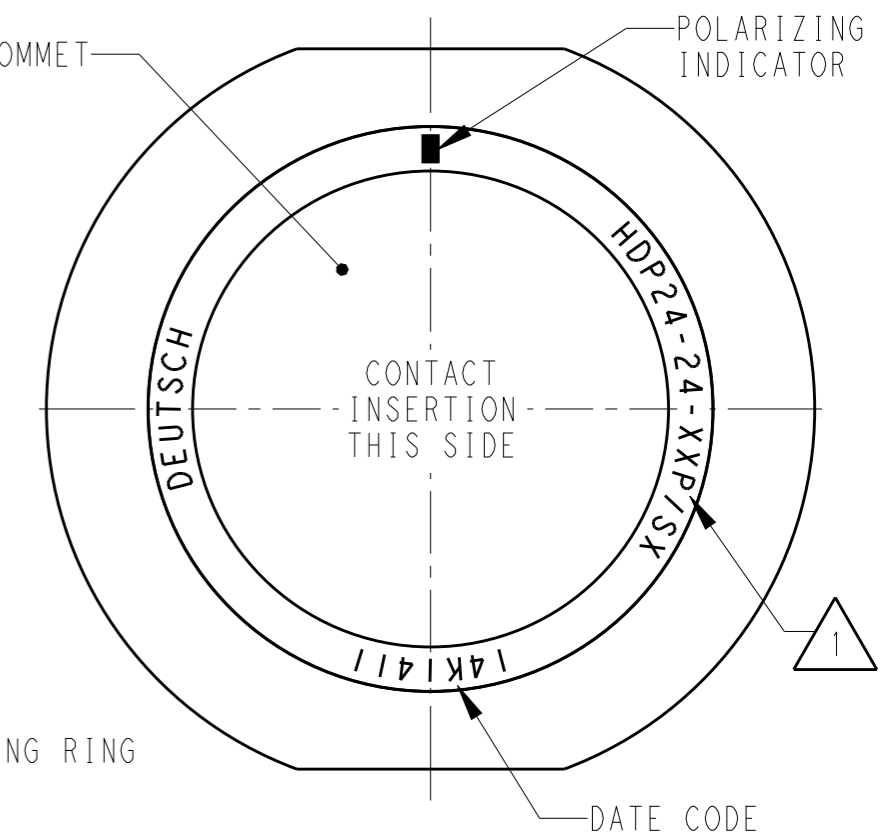
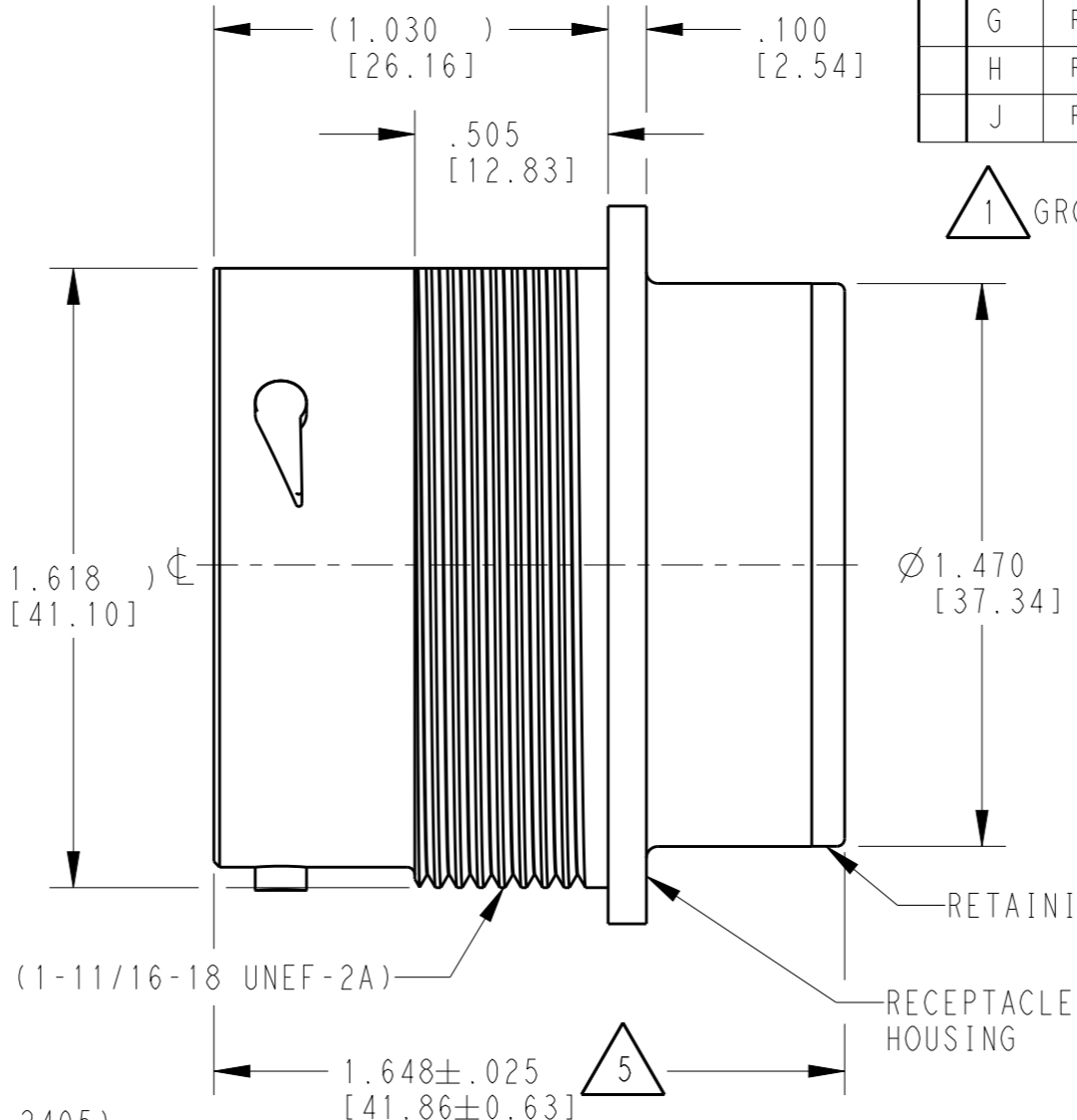
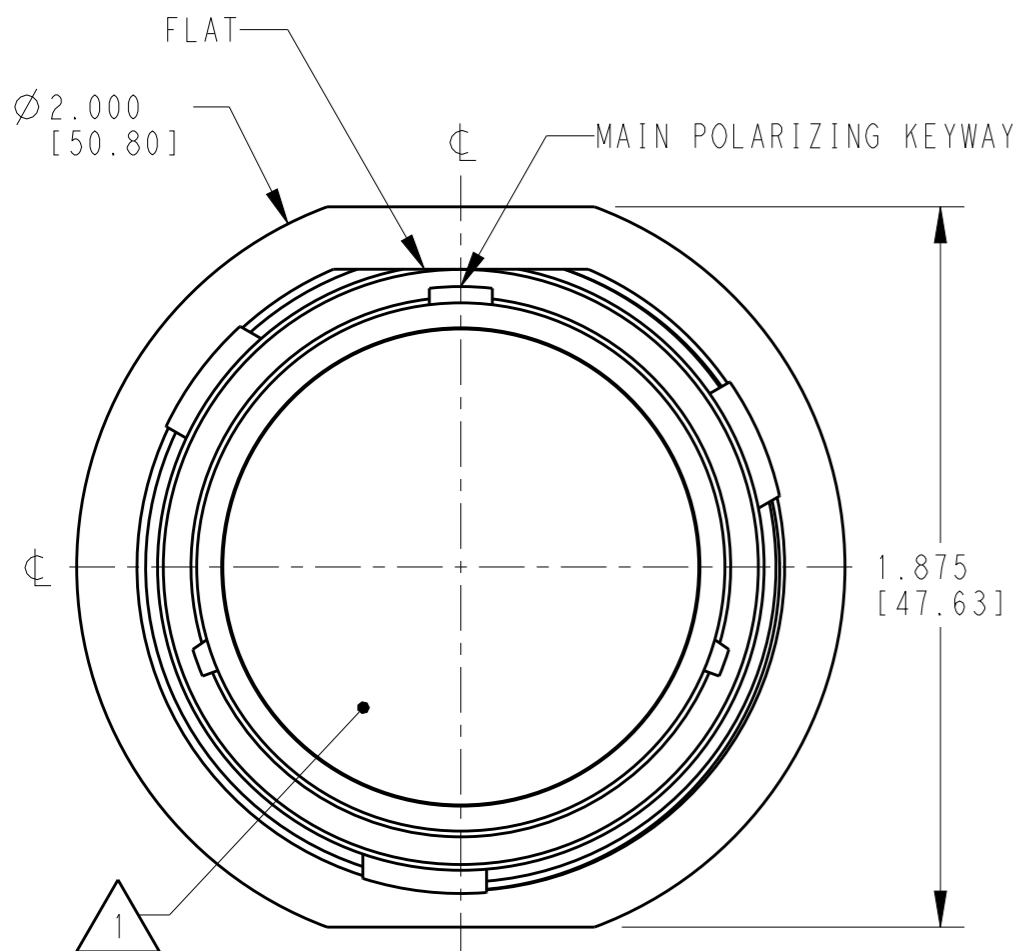


P	LTR	DESCRIPTION	DATE	DWN	APVD
F		REVISED PER E.O. P18119	14APR2003	AR	RDR
G		REVISED PER E.O. P18449	04FEB2004	XS	RDR
H		REVISED PER E.O. P21391	15JUN2012	AM	RDR
J		REVISED PER ECO-14-019072	23FEB2015	JA	DM



- 6. RECEPTACLE IS SUPPLIED WITH DUST CAP (2415-001-2405).
- 5. NOTED DIMENSION DOES NOT INCLUDE GROMMET PROTRUSION.
- 4. MATERIAL: RECEPTACLE HOUSING: PA66 GF10 (BLACK)  
 RETAINER RING: PA66 GF10 (GREEN, GRAY, BLUE)  
 GROMMET: SILICONE (ORANGE-RED)
- 3. SEE 0425-021-0000 APPLICATION SPECIFICATION  
 A. RECOMMENDED WIRE INSULATION RANGE  
 B. CONTACT REMOVAL TOOLS  
 C. RECOMMENDED MOUNTING HOLE & PANEL THICKNESS  
 D. MOUNTING HARDWARE & MOUNTING TORQUE.
- 2. THIS RECEPTACLE MATES WITH HDP26-24-XXP/SX-XXXX PLUG  
 X = SEAL TYPE (N,T,E)  
 XX = INSERT ARRANGEMENT  
 XXXX = MODIFICATION
- 1. SEE CUSTOMER DRAWING, 0425-014-2400 FOR AVAILABLE INSERT ARRANGEMENTS AND PART NUMBERS.

NOTES:

THIS DRAWING IS A CONTROLLED DOCUMENT.		DWN	03MAR2000	<b>STE</b> TE Connectivity
		STEVE BEARD		
		CHK	04FEB2004	NAME RECEPTACLE, THREADED SIZE 24 HDP SERIES
		JUNE LIM		
		APVD	16JAN2004	SIZE A3
		STEVE BEARD		
DIMENSIONS: INCHES [mm]		PRODUCT SPEC	0425-021-0000	CAGE CODE 4AFU8
TOLERANCES UNLESS OTHERWISE SPECIFIED:		APPLICATION SPEC	3	DRAWING NO HDP24-24-XXP/SX
0 PLC ±		WEIGHT		RESTRICTED TO
1 PLC ±		Customer Drawing		-
2 PLC ±		SCALE	2:1	SHEET 1 OF 1
3 PLC ±.015 [0.38]		REV	J	
4 PLC ±				
ANGLES ±				
FINISH N/A				